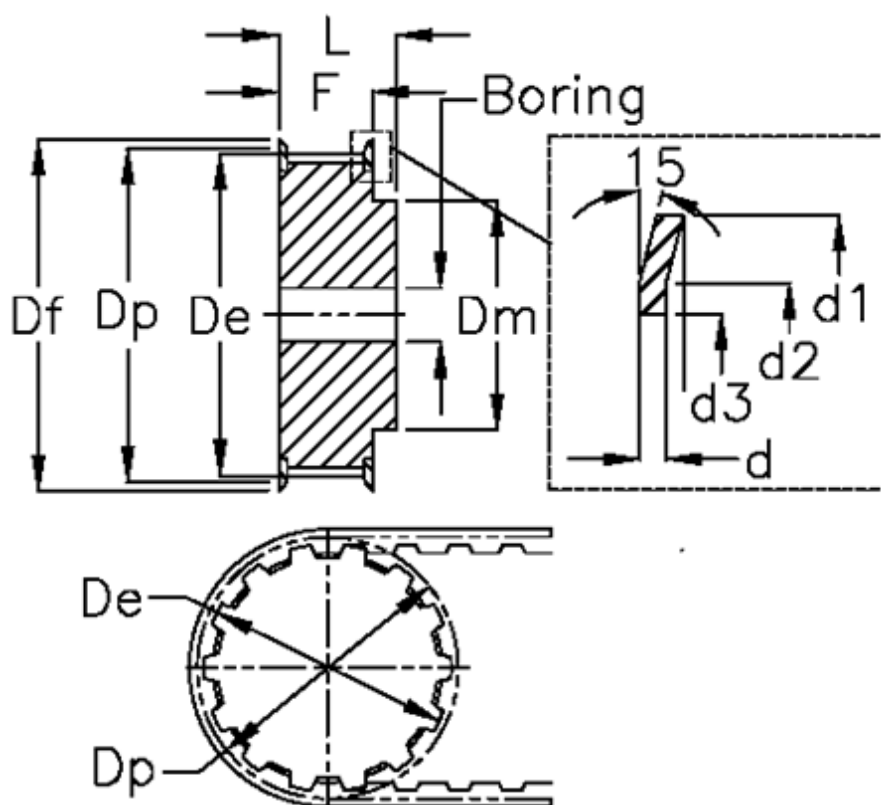


Article number: 604144040020

Description: Timing belt pulley with hub
HTD 40 8M 20

Measures



| | |
|-------------|-------------------|
| Bore = 15 | Dp = 101.86 |
| d = 1.5 | F = 28 |
| d1 = 106 | Flange type = F35 |
| d2 = 101 | L = 38 |
| d3 = 90 | Tooth number = 40 |
| De = 100.49 | Type = 8M |
| Df = 106 | Weight = 1.74 |
| Dm = 75 | Width = 20 |